



Quick Reference Guide

KRONE Fuse Switch Disconnects and Outdoor Connectors

Distributed by TransNet



te.com/energy





KRONE

ADC KRONE has been manufacturing network connectivity products in Australia for over 25 years and is a world leader in providing global network infrastructure products and services that enable the profitable delivery of high-speed Internet, video, data, and voice services to residential, business and mobile subscribers worldwide.

ADC KRONE's industry-leading portfolio of network infrastructure solutions helps our customers in Australia and beyond to provide advanced, differentiating services to meet their own customers' unrelenting demand for bandwidth along with their employee's need for instant, reliable access to business critical information.

Part of the global electronics market leader, TE Connectivity, our Australian operation exports a wide range of products around the world and invests significantly in local research and development.

Contents

KGH Series Fuse Switch Disconnectors

4

KGH160 Fuse Switch Disconnectors 160A

4

KGH250 Fuse Switch Disconnectors 250A

6

KGH400 Fuse Switch Disconnectors 400A

8

KGH Accessories

10

Type OCK Outdoor Connector

11

OCK Outdoor Connector

11

KGH160

160/250A

Features

- Fully Insulated
- On-load switching capability
- Corrosion proof
- Suits standard hook-stick
- Integral mounting bracket for bolting or strapping

The KRONE KGH160 Switch

The upper housing, with integral mounting bracket, holds the conductor, terminals and fuse contacts.

The lower housing is hinged for easy opening and closing. It houses the size 00 fuse links (to IEC 269) or connecting links.

Switches may be mounted side by side (with ganged or unganged operation) for two or three pole requirements.

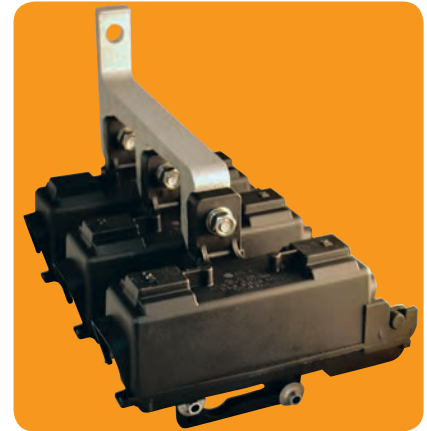
Cable Termination

The KGH160 is available with two different terminals;

- Pillar type terminals for stripped copper and aluminium compacted cables ranging from 16- 95mm²
- Insulation Piercing Connection (IPC) terminals for copper and aluminium compacted cables ranging from 16-95mm²

Options

- Pole mounted bracket for up to three switches
- Neon indication if fuse-link has operated



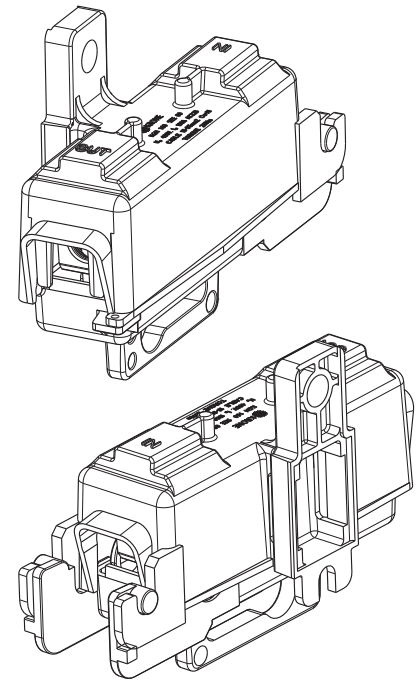
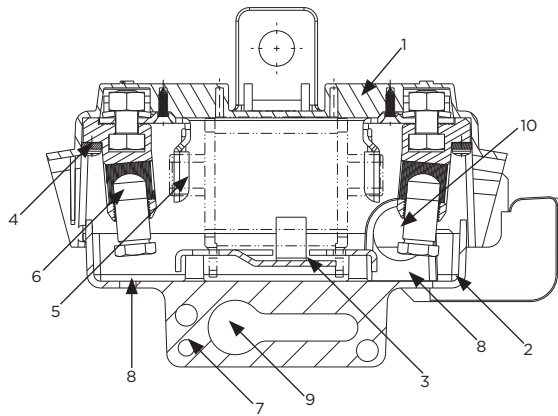
TCPN	Catalogue Reference	No of Poles	Ganged Switching	Pillar	Insulating Piercing
				Ni plated for 1x16-95mm ² Al & Cu compacted cables	for 2x25-150mm ² Al and Cu compacted cables
6459101500	KGH160 NH TUNNEL-TUNNEL	1	-	in/out	-
6459101510	SWITCH KGH 160 NH IPC-IPC	1	-	-	in/out
6459101700	KGH160/3 GANGED	3	yes	in/out	-



*Pillar
Type
Terminal*



*IPC
Type
Terminal*



- | | |
|---------------------------------------|--|
| 1. Upper housing | 7. Rod actuating pin (optional) |
| 2. Hinged removable lower housing | 8. Voltage test points |
| 3. Fuse-link retaining clip | 9. Hook stick position for opening/
closing |
| 4. Nickel plated pillar terminal | 10. Hook stick position for removal/
replacement of cover |
| 5. Nickel plated copper alloy contact | |
| 6. Stainless steel terminating screw | |

Technical Data

In accordance with tests and requirements to IEC 947-3

Rated operational voltage, U _e	480V
Rated insulation voltage, U _i	1000V
Rated frequency	50Hz
Rated operational current, I _e	
- with connecting links	250A
- with fuse links	160A
Utilisation category	AC22B
Rated conditional short-circuit current with fuse links	50kA
Infrequent operation with current	200
Infrequent operation without current	1400
Degree of protection	IP2L4
Mass (without fuse)	370g

KGH250

250A

Features

- Extremely compact
- One or three-pole units
- On-load switching capability
- Corrosion proof
- Fully insulated
- Suits standard hook-stick
- Individual, hinged terminal covers for maximum safety

The KRONE KGH250 Switch

The upper housing holds the conductor, terminals and contacts.

The lower housing is hinged for easy opening and closing.

It houses the mounting for size 1-2 fuses, links or short circuiting facilities.

Switches are available in single or triple pole versions.

The triple pole switch is supplied with mounting bracket.

Cable Termination

The KGH250 is available with three different terminals;

- Pillar type terminals for stripped copper and aluminium compacted cables ranging from 16-95mm² and 50-150mm².
- 12mm bolted Lug type terminals.
- Insulation Piercing Connection (IPC) terminals for copper and aluminium compacted cables ranging from 16-95mm² and 25-150mm².

Optional Accessories

1. Short circuiting device for load or supply side
2. Neon indication if fuse-link has operated
3. Operating rod attachments
4. Solid links, sizes 1 and 2, rated 250A
5. Wall mounting bracket
6. Solid link storage position
7. Operating pole with universal adaptor.



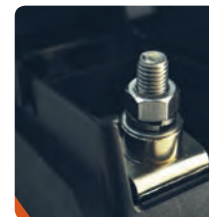
TCPN	Catalogue Reference	No of Poles	Ganged Switching	Pillar		Insulating Piercing	Lug
				for 2x16-95mm ² Al compacted cables	Ni plated for 2x16-95mm ² Al & Cu compacted cables	for 2x25-150mm ² Al and Cu compacted cables	12mm stud for lugs of palm width up to 40mm ²
6459100100	KGH250 T95AL-T95AL	3	yes	in/out	-	-	-
6459100101	KGH250 T95AL/C-T95AL/C	3	yes	-	in/out	-	-
6459100110	KGH250 LUG-LUG	3	yes	-	-	-	in/out
6459111800	SWITCH ABC IPC 250 2x25-150mm ²	3	yes	-	-	in/out	-



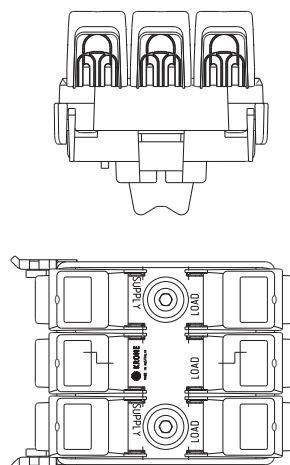
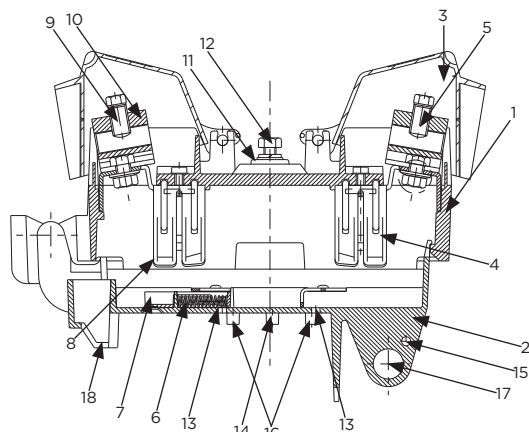
Pillar Type Terminal



IPC Type Terminal



Lug Type Terminal



- | | |
|---|--|
| 1. Upper housing | 10. Aluminium pillar terminal |
| 2. Hinged removable lower housing | 11. Switch mounting bracket |
| 3. Hinged terminal cover | 12. Switch mounting screw |
| 4. Arc chute | 13. Voltage test points |
| 5. Stainless steel 12mm bolted lug type terminal (option) | 14. Neon indicator (option) |
| 6. Fuse-link retaining clip | 15. Rod actuating pin (optional) |
| 7. Yellow indicator fuse-link/connecting-link installed | 16. Connecting-link storage position (option) |
| 8. Nickel plated copper alloy contact | 17. Hook stick position for opening/closing (option) |
| 9. 13 A/F hexagon head terminating screw | 18. Hook stick position for removal/replacement of cover |

Technical Data

In accordance with tests and requirements to IEC 947-3 and AS2847-3

Rated operational voltage, U_e	450V
Rated insulation voltage, U_i	1000V
Rated frequency	50-60Hz
Rated impulse withstand voltage, U_{imp}	16kV
Rated operational current, I_e	
- with fuse links	250A
- with connecting-links	250A
Rated make-break current at 0.65pg	375A
Rated short-time withstand current I_{cw} for one second	
- with connecting links	25kA
Rated short-circuit making capacity I_{cm}	
- with connecting links	10kA
Rated conditional short-circuit current	
- with fuse-links	50kA
Utilisation category	AC 22 B
Infrequent operation with current	200
Infrequent operation without current	1400
Degree of protection	IP2L4
Mass (without fuse)	6.2kg

KGH400

400A/630A

Features

- Extremely compact
- One or three-pole units
- On-load switching capability
- Corrosion proof
- Fully insulated
- Suits standard hook-stick
- Individual, hinged terminal covers for maximum safety

The KRONE KGH400 Switch

The upper housing holds the conductor, terminals and contacts.

The lower housing is hinged for easy opening and closing.

It houses the mounting for size 1-2 fuses, links or short circuiting facilities.

Switches are available in single or triple pole versions.

The triple pole switch is supplied with mounting bracket.

Cable Termination

The KGH400 is available with three different terminals;

- Pillar type terminals for stripped copper and aluminium compacted cables ranging from 16-95mm² and 50-150mm².
- 12mm bolted Lug type terminals.
- Insulation Piercing Connection (IPC) terminals for copper and aluminium compacted cables ranging from 16-95mm² and 25-150mm².

Optional Accessories

1. Short circuiting device for load or supply side
2. Neon indication if fuse-link has operated
3. Operating rod attachments
4. Solid links, sizes 1 and 2, rated 400A/630A
5. Wall mounting bracket
6. Solid link storage position
7. Pole mounted bracket for up to three KGH400/1 switches.
8. Operating pole with universal adaptor.



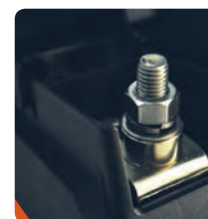
TCPN	Catalogue Reference	No of Poles	Ganged Switching	Pillar		Insulating Piercing		Lug
				for 2x16-95mm ² Al compacted cables	Ni plated for 2x50-150mm ² Al & Cu cables	for 2x25-150mm ² Al and Cu compacted cables	for 2x25-150mm ² Al and Cu compacted cables	12mm stud for lugs of palm width up to 40mm ²
6459100121	KGH400 T150AL/C-T150AL/C	3	yes	-	in/out	-	-	-
6459100130	KGH400 LUG-LUG	3	yes	-	-	-	-	in/out
6459100131	KGH400 T95AL-LUG	3	yes	in	-	out	-	-
6459111520	KGH400 2X50-185TUN/2X50-150TUN	1	-	-	in/out	-	-	-
6459111550	KGH400/1 IPC 25mm ² - 150mm ²	1	-	-	-	-	-	in/out
6459111560	KGH400 LUG/LUG UNGANGED	1	-	-	-	-	-	in/out
6459112200	KGH400 2X25-150mm ² IPC	3	yes	-	-	-	in/out	-



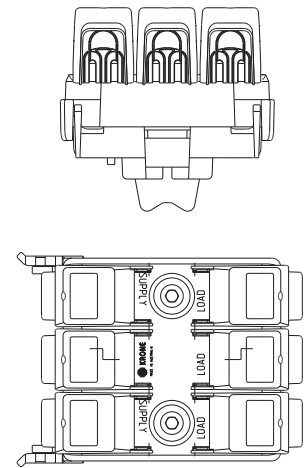
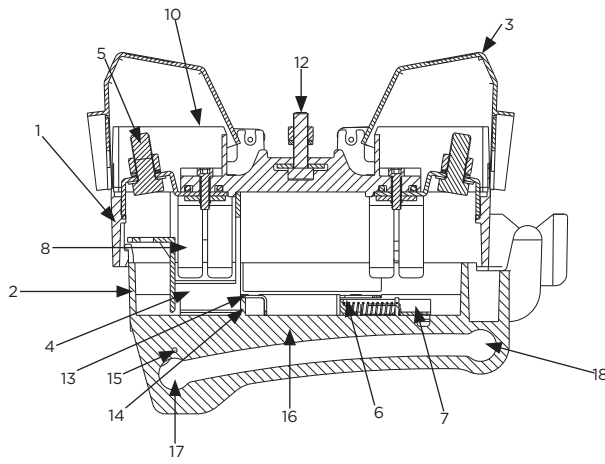
Pillar Type Terminal



IPC Type Terminal



Lug Type Terminal



- 1. Upper housing
- 2. Hinged removable lower housing
- 3. Hinged terminal cover
- 4. Arc chute
- 5. Stainless steel 12mm bolted lug type terminal (option)
- 6. Fuse-link retaining clip
- 7. Yellow indicator fuse-link/connecting-link installed
- 8. Nickel plated copper alloy contact
- 11. Switch mounting bracket
- 12. Switch mounting screw
- 13. Voltage test points
- 14. Neon indicator (option)
- 15. Rod actuating pin (optional)
- 16. Connecting-link storage position (option)
- 17. Hook stick position for opening/closing
- 18. Hook stick position for removal/replacement of cover



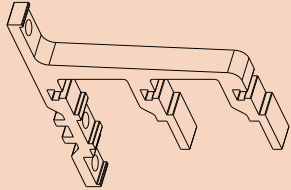
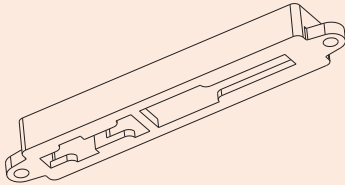
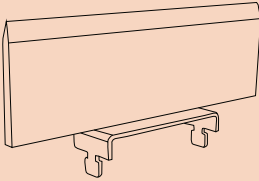
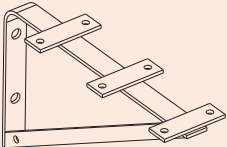
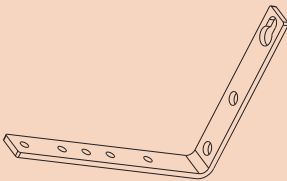
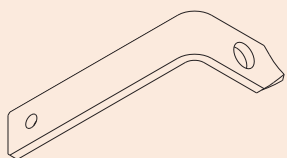
Universal Mounting Bracket
6459312200

Technical Data

In accordance with tests and requirements to IEC 947-3 and AS2847-3

	KGH400/3	KGH400/1
Rated operational voltage, Ue	450V	450V
Rated insulation voltage, Ui	1000V	1000V
Rated frequency	50-60Hz	50Hz
Rated impulse withstand voltage, Uimp	16kV	16kV
Rated operational current, Ie		
- with fuse links	400A	400A
- with connecting-links	630A	630A
Rated make-break current at 0.65pg	945A	1200A
Rated short-time withstand current 1cw for one second		
- with connecting links	25kA	25kA
Rated short-circuit making capacity 1cm		
- with connecting links	10kA	10kA
Rated conditional short-circuit current		
- with fuse-links	50kA	50kA
Utilisation category	AC 22 B	AC 22 B
Infrequent operation with current	200	200
Infrequent operation without current	1400	800
Degree of protection	IP2L4	IP2L4
Mass (without fuse)	6.5kg	1.5kg

KGH Accessories

TCPN	Catalogue Reference	Description	
6459204700	BRKT UNGANG KGH160/3 KIT	Mounting bracket for three KGH160 switches, includes hardware (each)	
6459200600	KIT CONN LINK STORAGE	Connecting Link Storage Kit for fitting to underside of KGH250 and KGH400 (each)	
6469031001	SOLID LINK 400/630A 2 SS	Connecting Link 400A, size 2, for KGH400 (each)	
6469033200	MOUNTING BRACKET APR630	Mounting bracket for three APR630 switches, includes hardware (each)	
6459312200	BRACKET UNIVERSAL KGH400	Mounting bracket for three KGH400/1 switches	
6459312300	BRACKET-SINGLE KGH400	Mounting bracket for one KGH400/1 switch	

OCK

12kV

Features

- Re-usable connector
- Fully insulated
- IP24 protection
- UV resistant polyamide housing
- Corrosion proof
- Flexible easy mounting
- Test access
- Multiple cable connections
- Accepts cable 25-185mm² aluminium or copper

The **KRONE Type OCK** is an outdoor low voltage cable connector designed for use with KRONE's range of low voltage fuse switch disconnectors. The OCK solves the problem of how to connect neutral cables and, at the same time, giving easy voltage test point access.

Mounting

The OCK may be free hanging or secured to a mounting bracket (widths 40 and 24mm) using the cable tie provided.

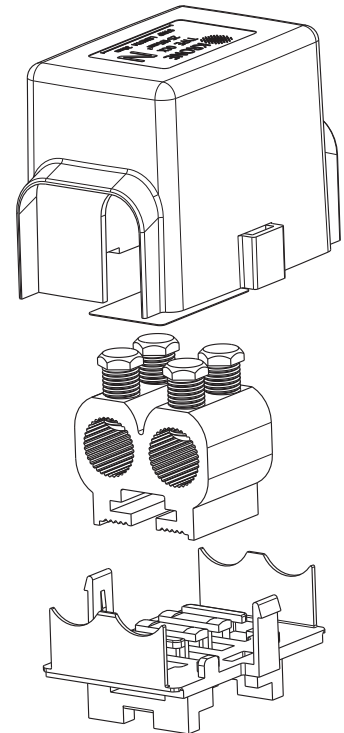
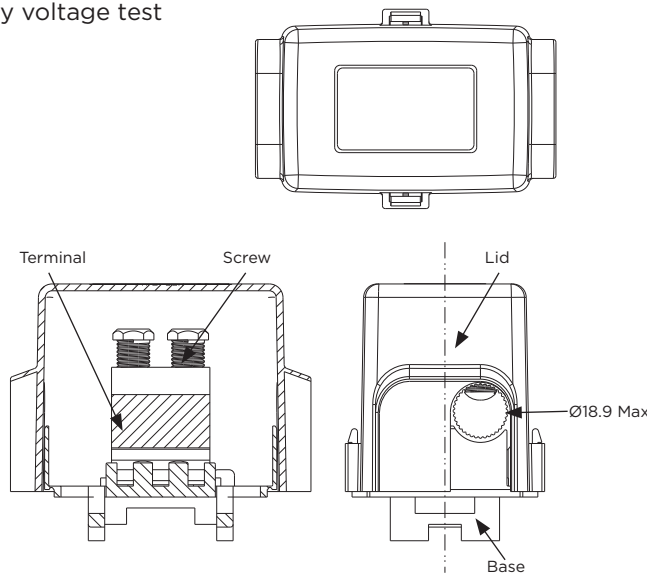
Benefits

- Neutral cable connections
- Phase cable connections
- Access point for testing
- Connection point for earth leads
- Connection for different cable sizes

Materials

Base/Lid: Polyamide (UV stabilised) black

Pillar Terminal: Aluminium alloy



TCPN	Catalogue Reference	Pillar
		for 25 - 185mm ² Al/Cu
6459112300	OUTDR CON 1 X 25-185MMSQ TUNL	1 cable in / 1 cable out
6459112301	OUTDR CON 2X25-185MMSQ TUNL	2 cables in / 2 cables out

Technical Data

Rated operational voltage, Ue	450V
Rated insulation voltage, Ui	1000V
Rated impulse withstand voltage, Uimp	12kV
Degree of protection	IP24

About TE Connectivity

TE Connectivity is a global, \$12.1 billion company that designs and manufactures over 500,000 products that connect and protect the flow of power and data inside the products that touch every aspect of our lives. Our nearly 100,000 employees partner with customers in virtually every industry – from consumer electronics, energy and healthcare, to automotive, aerospace and communication networks – enabling smarter, faster, better technologies to connect products to possibilities.

FOR MORE INFORMATION

TE Technical Support
New Zealand: +64 (9) 634 4580

Part numbers in this brochure are RoHS Compliant*, unless marked otherwise.
*as defined www.te.com/leadfree

te.com

© 2011 Tyco Electronics Energy Pty Ltd, a TE Connectivity Ltd. Company. All Rights Reserved.
EPP-1934-AU-11/11 ENG KK 250 11/2011

While TE Connectivity (TE) has made every reasonable effort to ensure the accuracy of the information in this catalogue, TE does not guarantee that it is error-free, nor does TE make any other representation, warranty or guarantee that the information is accurate, correct, reliable or current. TE reserves the right to make any adjustments to the information contained herein at any time without notice. TE expressly disclaims all implied warranties regarding the information contained herein, including, but not limited to, any implied warranties of merchantability or fitness for a particular purpose. The dimensions in this catalogue are for reference purposes only and are subject to change without notice. Specifications are subject to change without notice. Consult TE for the latest dimensions and design specifications. Raychem, Utilux, TE Connectivity and the TE connectivity (logo) are trademarks. Other logos, product and/or company names might be trademarks of their respective owners.

TransNet NZ Ltd
20 Neilpark Drive
East Tamaki
Auckland
Ph: 0800 442 182
Fax: 0800 442 183
sales@transnet.co.nz
www.transnet.co.nz



0800 442 182 | www.transnet.co.nz

Distributed by TransNet

