



Raychem GelPort

Submersible Secondary Connectors for URD Distribution (1000 V)

KEY FEATURES

- Corrosion resistant
- No loose parts due to one piece housing
- Gel-filled cable entry ports provide a reliable cable seal
- PowerGel sealing gel seals out harsh environments
- Rugged, impact-resistant housing stands up to rough installations
- Clear view back allows for easy positive visual indication of wire position in connector

The GelPort connection system represents a revolutionary product for secondary connectors. Strip the cable and push it into the gel-filled cable port. The cable is encapsulated in gel and instantly sealed. Fast, reliable installation - every time. It's that simple.

PowerGel sealing gel was specifically developed for the electrical power industry. It consists of a chemically cross-linked silicone elastomer with silicone oil. PowerGel sealing gel is hydrophobic and provides an excellent moisture seal over a wide operating temperature range (-40° C to 95° C). It is compatible with solid dielectric cable insulation and connector deoxidizing greases and has excellent insulation properties.



Hybrid 350/500 MCM

Raychem
from TE Connectivity

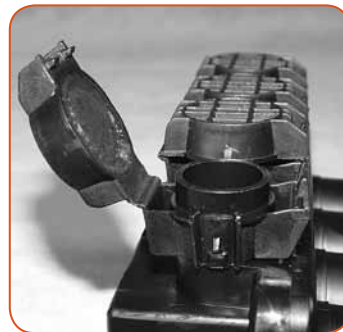
Product Selection						
Catalog Number	Clear view	Number of wire ports	Conductor use range (mm ²)	Length inches (mm)	Width inches (mm)	Height inches (mm)
GPRT-350-3P	-C	3	14 - 350 (2 - 150)	4.60 (117)	3.825 (97)	3.50 (89)
GPRT-350-4P	-C	4	14 - 350 (2 - 150)	5.85 (149)	3.825 (97)	3.50 (89)
GPRT-350-5P	-C	5	14 - 350 (2 - 150)	7.10 (180)	3.825 (97)	3.50 (89)
GPRT-350-6P	-C	6	14 - 350 (2 - 150)	8.35 (212)	3.825 (97)	3.50 (89)
GPRT-350-8P	-C	8	14 - 350 (2 - 150)	10.85 (276)	3.825 (97)	3.50 (89)
GPRT-350/4P-500/1P	-C	5 Hybrid		7.10 (180)	3.825 (97)	3.50 (89)
		4	14 - 350 (2 - 150)			
		1	6 - 500 (16 - 250)			
GPRT-350/6P-500/2P	-C	8 Hybrid		10.85 (276)	3.825 (97)	3.50 (89)
		6	14 - 350 (2 - 150)			
		2	6 - 500 (16 - 250)			

Note: For clear view back, add "-C" to catalog number

Clear Back



Hinged Cap



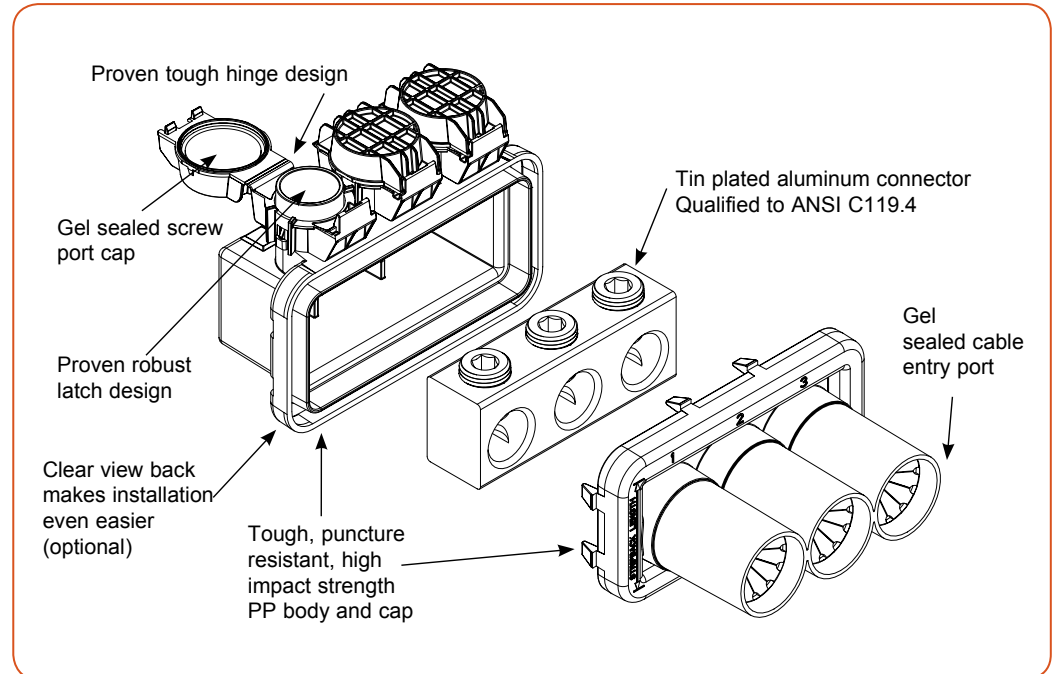
Gel-filled Ports



Submersible Performance



Testing	Test Condition
Complete unit	ANSI C119.1, 2002, Report: EDR-5379, EDR-5409, EDR-5427
Connector	ANSI C119.4, 2003, Report: 502-47264, 502-47302, 502-47308
Chemical Resistance	ASTM D543 to the following liquids: Sulfuric Acid, Sodium Sulfate, Sodium Chloride, Sodium Hydroxide, Ethylene Glycol
UV Resistance	ASTM G-53-95, ASTM-D-638-95



TE Technical Support Center

USA: +1 (800) 327-6996
 Canada: +1 (905) 475-6222
 Mexico: +52 (0) 55-1106-0800
 Latin/S. America: +54 (0) 11-4733-2200
 UK: +44 (0) 800-267666
 France: +33 (0) 1-3420-8686
 Netherlands: +31 (0) 73-6246-999
 China: +86 (0) 400-820-6015

energy.te.com

© 2005, 2007, 2008 - 2012 Tyco Electronics Corporation, a TE Connectivity Ltd. Company. All Rights Reserved.

1654967 E213 04/2012

Gelport, PowerGel, Raychem, TE Connectivity and TE connectivity (logo) are trademarks. Other logos, product and/or company names might be trademarks of their respective owners.



While TE has made every reasonable effort to ensure the accuracy of the information in this brochure, TE does not guarantee that it is error-free, nor does TE make any other representation, warranty or guarantee that the information is accurate, correct, reliable or current. TE reserves the right to make any adjustments to the information contained herein at any time without notice. TE expressly disclaims all implied warranties regarding the information contained herein, including, but not limited to, any implied warranties of merchantability or fitness for a particular purpose. The dimensions in this catalog are for reference purposes only and are subject to change without notice. Specifications are subject to change without notice. Consult TE for the latest dimensions and design specifications.