

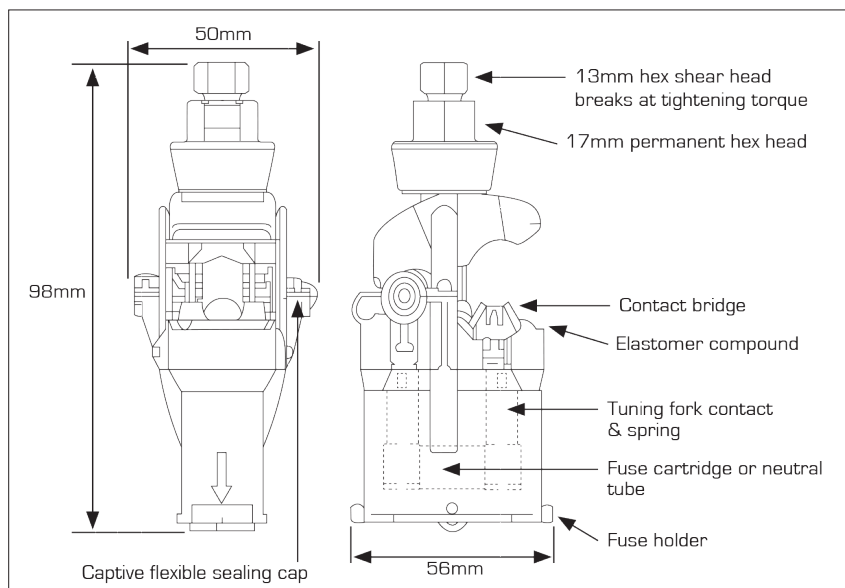
K223NZ - FUSED IPC

- FUSED STREETLIGHT IPC 20A, 6-95MM² / 1.5-16MM²

APPLICATION

This Fuse carrier is designed specifically for New Zealand wire sizes and to use a 10.3x38mm fuse cartridge or neutral tube. It provides electrical protection to insulated service or street light conductors connected to a low voltage circuit. Maximum rating is 20A.

- Fuse carrier opening/closing is performed by hand
- Simply pull the white base out of the cutout body
- The fuse holder can be closed without cartridge
- Fuse carrier base is captured in unit even without fuselink
- The connection is made using insulation piercing technology
- Tightening of insulated main line and tap line is carried out simultaneously in a single tightening operation
- Shear head bolt ensures correct torque is reached when connection is made
- Elastomer shroud around teeth ensure watertightness of conductors
- Use a 13mm spanner to tighten the connector until shear head breaks
- The 17mm permanent head is only provided for eventual disassembly
- IP33 connection once connector is installed and connection is complete
- Implementation can be carried out on a live-line but without load on the tap conductor, fuse holder being empty
- Fully insert the insulated tap conductor in the connector so that its end seats in the flexible sealing cap.
- Place the connector carefully on the main conductor (insulated or bare) in order to lay down the fuse holder, facilitating operation (connection/disconnection).



Cat No.	K223NZ
Cable Range	6-95mm ² Main, 1.5-16mm ² Tap
Fuse Link	10.3x38mm Barrel CH10-NB range
Amps	20A

MICHAUD