



RAYCHEM SCREENED ELBOW/STRAIGHT SEPARABLE CONNECTORS RSES/RSSS FOR INTERFACE A (EN 50180/EN 50181): 250 A, UP TO 24 KV

KEY FEATURES

- Range taking mechanical shearbolt cable lugs
- Hybrid material design for excellent mechanical and electrical performance
- Reliable operation even under harsh environmental conditions
- Screened connector body for improved safety
- Optional Voltage Detection point (VD)¹

TE Connectivity (TE) has decades of experience in the field of medium voltage termination systems for distribution networks. With TE's new Raychem Screened Elbow and Straight Separable connectors RSES/RSSS, TE further extends its comprehensive and reliable switchgear connect portfolio.

TE's Raychem Screened Elbow and Straight Separable connectors RSES/RSSS are designed to connect single-core polymeric cables to medium voltage gas insulated switchgears and other equipments using bushings type "A" (according to EN 50180/EN 50181) specified for 250A continuous current. RSES and RSSS connectors are compliant with CENELEC HD 629.1 S2 02/2006+A1:2008, and tested for a system voltage up to 24 kV.

Made of a combination of durable EPDM rubber for the outer body and highly modified silicone rubber for the inner insulation, RSES and RSSS connectors are equally suited for indoor and outdoor installations even in harshest environments while offering superior electrical performance. The separable connectors are screened by an earthed outer conductive layer that ensures a safe and reliable operation.

Using mechanical shearbolt cable lugs, RSES and RSSS are easy and quick to install while supporting wide ranges of different cable cross sections (16-95 mm² and 70-150 mm²). TE's RSES and RSSS connectors can be equipped with a capacitive Voltage Detection point (VD)¹ to determine the presence of voltage in the cable network.

Customers can count on consistent, high quality products, driven by TE's proven innovation and backed by our extraordinary customer support.

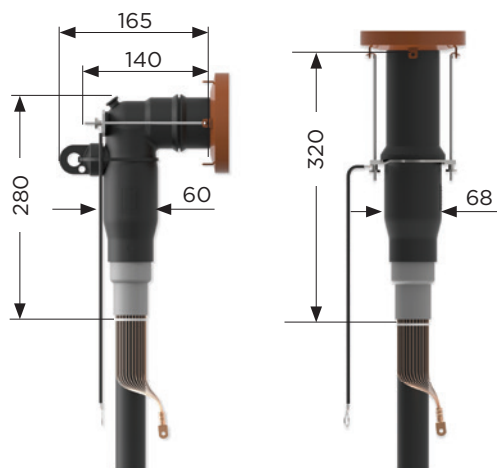
Raychem Screened Separable Connectors RSSS/RSES



RSES and RSSS separable connectors have been tested in accordance with the international specifications (e.g. CENELEC HD 629.1 S2 02/2006+A1:2008) based on the ratings given below. The cable lugs supplied with the separable connectors have been tested in accordance with IEC 61238-1 on aluminium and copper conductors in the given ranges.

TECHNICAL DATA	
Conductor Cross section Range	16 - 150 mm ²
Diameter over conductor (round, stranded)	5.6 - 15.0 mm
Diameter over conductor (round, solid)	5.2 - 13.8 mm
Cable Insulation Diameter Range	15.3 - 28.5 mm
Maximum System Voltage	24 kV
Continuous Current Rating	250 A
Basic Impulse Level	125 kV
Partial Discharge at 2 U ₀	< 3 pc
AC Voltage Withstand, 5 min	50 kV
DC Voltage Withstand, 15 min	96 kV

All RSES and RSSS separable connectors pass a 100% routine test procedure including: AC Voltage Withstand and Partial Discharge Test.



RSES VD: Elbow connector with test point

RSSS VD: Straight connector with test point

PRODUCT SELECTION TABLE							
Kit Designation	Connector Type	Integrated Voltage Detection Point	12 kV Cross Section (mm ²)	24 kV Cross Section (mm ²)	Diameter over Round Stranded conductor (mm)	Diameter over Round Solid conductor (mm)	Diameter over Insulation (mm)
RSSS-5251	Straight		50 - 95 ²	16 - 95	5.6 - 12.9	5.2 - 11.0	15.3 - 25.0
RSSS-5252	Straight			70 - 150	9.3 - 15.0	8.7 - 13.8	21.9 - 28.5
RSSS-VD-5251	Straight	Yes ¹	50 - 95 ²	16 - 95	5.6 - 12.9	5.2 - 11.0	15.3 - 25.0
RSSS-VD-5252	Straight	Yes ¹		70 - 150	9.3 - 15.0	8.7 - 13.8	21.9 - 28.5
RSES-5251	Elbow		50 - 95 ²	16 - 95	5.6 - 12.9	5.2 - 11.0	15.3 - 25.0
RSES-5252	Elbow			70 - 150	9.3 - 15.0	8.7 - 13.8	21.9 - 28.5
RSES-VD-5251	Elbow	Yes ¹	50 - 95 ²	16 - 95	5.6 - 12.9	5.2 - 11.0	15.3 - 25.0
RSES-VD-5252	Elbow	Yes ¹		70 - 150	9.3 - 15.0	8.7 - 13.8	21.9 - 28.5

By default all kits do not contain accessories for earthing of the cable screen. To add this to the kit's contents please use the following kit modification codes: Add "-E" to the end of the kit designation for a kit that includes wire screen earthing accessories.

¹ Optional Voltage Detection point (VD) with expected launch in July 2017.

² Larger cross sections on demand.

te.com/energy

©2017 TE Connectivity Ltd. family of companies. All Rights Reserved. EPP-2856-DDS-03/17-EN

Raychem, TE, TE Connectivity and TE connectivity (logo) are trademarks. Other logos, product and/or company names might be trademarks of their respective owners. While TE has made every reasonable effort to ensure the accuracy of the information in this brochure, TE does not guarantee that it is error-free, nor does TE make any other representation, warranty or guarantee that the information is accurate, correct, reliable or current. TE reserves the right to make any adjustments to the information contained herein at any time without notice. TE expressly disclaims all implied warranties regarding the information contained herein, including, but not limited to, any implied warranties of merchantability or fitness for a particular purpose. The dimensions in this catalog are for reference purposes only and are subject to change without notice. Specifications are subject to change without notice. Consult TE for the latest dimensions and design specifications.

FOR MORE INFORMATION: TE Technical Support Centers

USA:	+ 1 800 327 6996
France:	+ 33 380 583 200
UK:	+ 44 0870 870 7500
Germany:	+ 49 896 089 903
Spain:	+ 34 916 630 400
Italy:	+ 39 333 250 0915
Benelux:	+ 32 16-508-695
Canada:	+ 1 (905) 475-6222
Mexico:	+ 52 (0) 55-1106-0800
Latin/S. America:	+ 54 (0) 11-4733-2200
China:	+ 86 (0) 400-820-6015